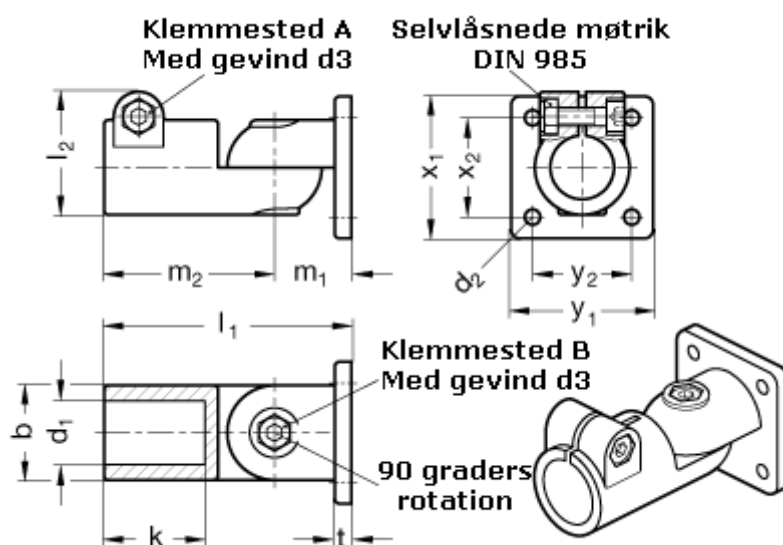


Article number: 20282B45T2SW

Description: E+G Swivel clamp connector joint
GN 282-B45-T-2-SW

Measures



b = 65	m2 = 115
d1 = B45	t = 14
d2 = 11.0	x1 = 105
d3 = M10	x2 = 74
k = 74.0	y1 = 105
l1 = 167.0	y2 = 74
l2 = 77.5	
m1 = 52.0	